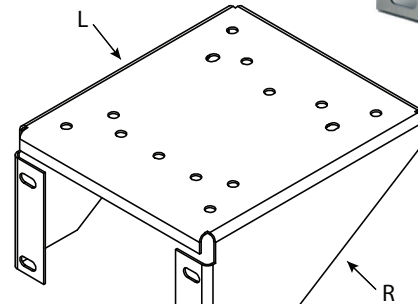
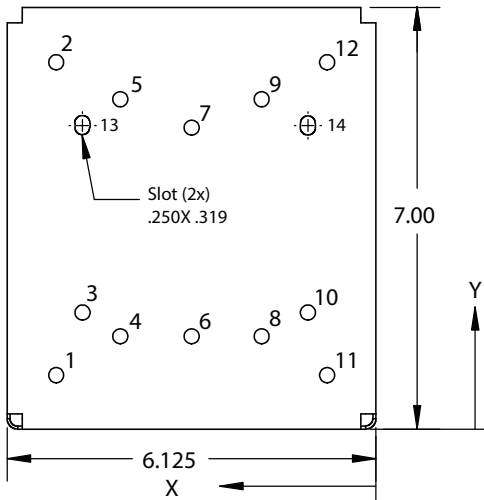
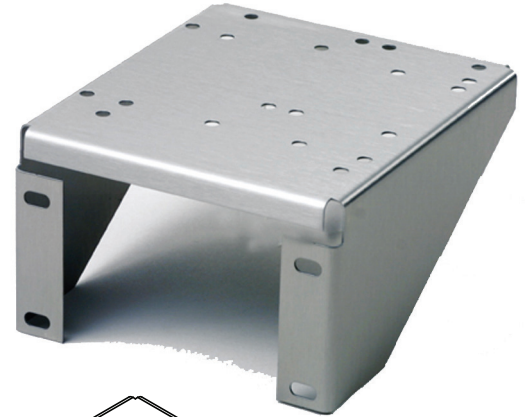


# Metering Pump Mounting Brackets

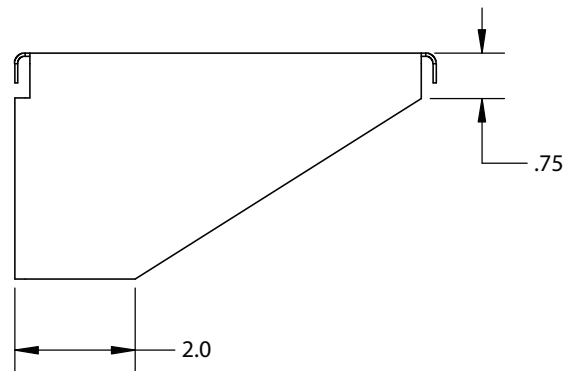
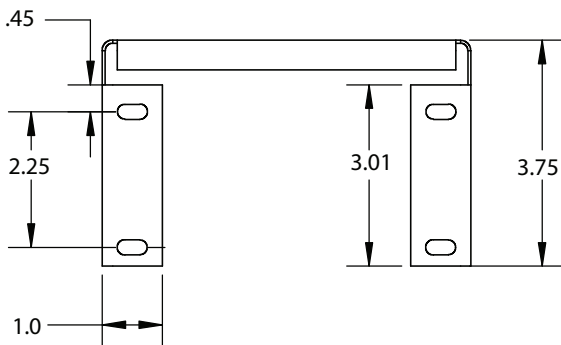


## E Series Wall Mount Brackets

**E00070** Wall mount brackets position your E Series metering Pumps above your chemical drum to simplify installation and service.



- EHE (L/R): 1, 2, 11, 12
- EK (L/R): 4, 5, 8, 9
- EZC (L/R): 4, 5, 8, 9
- EW (R): 4, 5, 10, 14
- EW (L): 3, 13, 8, 9
- EZB/EJ (L): 4, 6, 7, 13
- EZB/EJ (R): 6, 7, 8, 14



**Notes:**

1. Material is brushed 18-8 stainless steel, .040" to .060" thick.
2. All hole diameters are 1/4".

**WALCHEM**

IWAKI America Inc.